

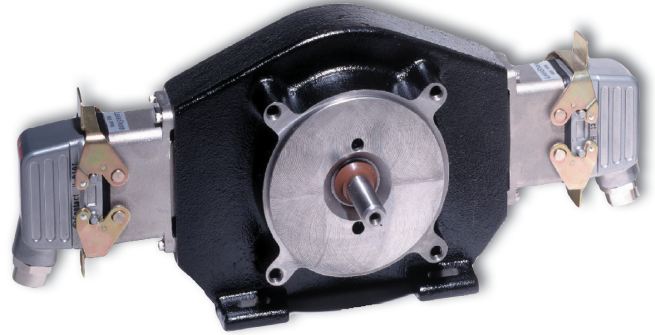
SERIES RIM Tach 6200

NorthStar™ brand

Severe Duty Encoder

Key Features

- **Foot-Mount or 56-C Face Mount Ideal for “Flower Pot” or Belt Drive Applications**
- **Extra Heavy Duty Bearings for Long Life**
- **Stainless Steel and Ductile Cast Iron Construction**
- **Sensor Modules are Removable On-The-Fly and Provide up to 1200 PPR**
- **New Model Available with Larger Air Gap and Diagnostic LED. See NexGen RT6**



SPECIFICATIONS

STANDARD OPERATING CHARACTERISTICS

Code: Incremental, Magnetic
Pulses per Revolution: 60-1200 PPR
Phasing Sense: A leads B for Counter-Clockwise rotation (CCW) viewing encoder-mounted end
Quadrature Phasing: 90° ± 22°
Symmetry: 180° ± 54°
Index: 270°, ungated (optional gated to falling B edge)
Number of Output Modules: Single or Dual

ELECTRICAL

Input Voltage Requirement: 5-15 or 15-26 Volts DC
Current Requirement:
 With Electrical Option L: 45 mA typical per sensor module plus line driver load
 With Electrical Option R: 65 mA typical per sensor module plus line driver load
 With Electrical Option 5: 65 mA typical per sensor module plus line driver load
Output Signals:
 4428 Differential Line Driver: 150mA, sink or source
Frequency Response: 0 - 120kHz Data & Index
Noise Immunity: Tested to EN61326-1
Electrical Immunity: Reverse polarity and short circuit protected
Connector: 10 pin industrial duty latching, sealed NEMA 4 & 12, IP65

MECHANICAL

Shaft Size: 0.625" (16mm) diameter with standard key, single or double ended
Shaft Speed: 7,000 RPM
Shaft Axial/Radial Loading:
Hot Rolled Steel: 50 lb axial, 50 lb radial
Stainless Steel: 35 lb axial, 35 lb radial
Mounting Configuration: 4.5" [115mm] diameter, 56 C-Face Mount or accessory flange to meet NEMA MG1-4 standards; foot mount with 4 slotted bolt holes
Acceleration Rate: 3600 rpm/sec max
Housing Material: Cast Iron/Stainless Steel
Shaft Material Options: Hot Rolled Carbon Steel or Stainless steel
Weight: 27.6 lbs

ENVIRONMENTAL

Operating Temperature Range: -40°C to +70°C
Storage Temperature Range: -40°C to +120°C
Shock (Sensor Module): 30 G's Min
Vibration: 18 G's @ 5-2000 Hz spectrum
Humidity: Up to 98% (non-condensing)

ELECTRICAL CONNECTIONS

Signal	Connector Pin	Pigtail Cable	MS 3102E18-IT#
Common	1	Black	A
B	2	Green	E
A	3	Blue	D
Z *	4	Violet	C
No Connection	5	—	—
Vcc	6	Red	B
\bar{B}	7	Yellow	H
\bar{A}	8	Gray	G
\bar{Z} *	9	Orange	I
Shield	10	Braid	J

* Index (Z) optional. See Ordering Information

NorthStar™ brand SERIES RIM Tach 6200

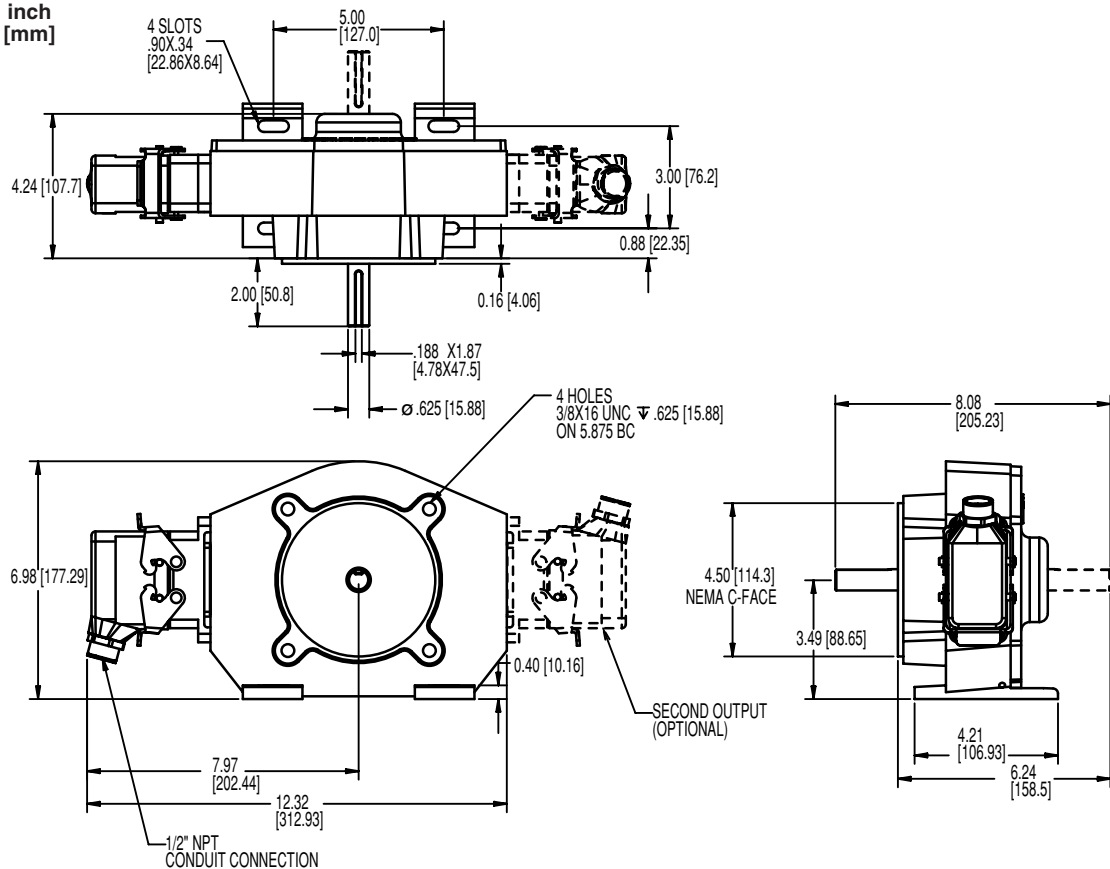
Ordering Information

To order, complete the model number with code numbers from the table below:

Code 1: Model	Code 2: PPR	Code 3: Index	Code 4: Shaft	Code 5: Output	Code 6: Electrical	Code 7: Termination	
R6	□□□□	□	□□□□	□	□	□	
Ordering Information							
R6 Foot Mount and Close Coupled Housing	0060 0064 0075 0120 0128 0150 0240 0256	0300 0480 0512 0600 0960 1024 1200	L No Index Available when Code 2 is 0480, 0512, 0600, 0960 1024 or 1200 G Gated Index (Z, \bar{Z}) Z Differential Index (Z, \bar{Z})	A Single Shaft Stainless Steel 5/8" B Dual Shaft Stainless Steel 5/8" S Single Shaft Hi-strength Steel 5/8" D Dual Shaft Hi-strength Steel 5/8"	1 Single Output 2 Dual Output, Isolated Differential, bidirectional signals (A, \bar{A} , B, \bar{B})	L 5-15V in, 5-15V Line Driver (4428) out R 15-26V in, 15V Line Driver (4428) out 5 5-15V in, 5V Line Driver (4428) out	C Latching Industrial Connector with 1/2" NPT F Latching Industrial Connector without Mating Connector M 10 pin MS Connector P 18" Pigtail

Note: See ACCESSORIES Section For Connectors, Grounding Brushes, Spare Parts and Pulse Wheels

DIMENSIONS inch [mm]



Worldwide Brands: NorthStar™ • Dynapar™ • Hengstler™ • Harowe™

DYNAPAR
INNOVATION - CUSTOMIZATION - DELIVERY

WWW.DYNAPAR.COM

Headquarters: 1675 Delany Road • Gurnee, IL 60031-1282 • USA

Customer Service:
Tel.: +1.800.873.8731
Fax: +1.847.662.4150
custserv@dynapar.com

Technical Support
Tel.: +1.800.234.8731
Fax: +1.847.662.4150
northstar.techsupport@dynapar.com

European Sales Representative
Hengstler GmbH
Uhlandstrasse 49, 78554 Aldingen
Germany
www.hengstler.com