

SERIES AI25 CAN Open HENGSTLER

Absolute Encoder

Key Features

- Up to 16 Bit of Singleturn and 12 Bits of True Multiturn Absolute Positioning
- Onboard Diagnostics
- CAN Open Interface
- Available with multiple shaft configurations
- Enclosure ratings of IP64 or IP67



SPECIFICATIONS

STANDARD OPERATING CHARACTERISTICS:

Code: Absolute, Optical
Resolution Single-turn: 10-16 Bit
Resolution Multi-turn: 12 Bit
Linearity: +/- 1/2 LSB
Absolute Accuracy: ± 0.01° mechanical (36 arc-sec.)
Repeatability: ± 0.002° mechanical (7.2 arc-sec.)

ELECTRICAL:

Interface: CAN High-Speed according to ISO/ DIS 11898
Protocol: CANopen according to DS 301 with profile DSP 406, programmable encoder according to C2
Transfer mode:
 Poll mode
 Bit strobe (time-synchronous for all devices)
 Change of State (automatic after change of values)
 Cyclic, with adjustable cycle timer
Output Code: Binary
Input Power: 10-30 VDC
Intrinsic Current Consumption: 200 mA (ST), 220 mA (MT)

ELECTRICAL (Cont):

Frequency Response (Baud Rate): 10, 20, 50, 125, 250, 500, 800, 1000 kBaud
Noise Immunity: Tested to EN 61326-1
Electrical Immunity: Tested to EN 61326-1
Termination: Bus Cover with spring terminal clamps; 12 pin Conin CW; Cable with Pigtail

MECHANICAL:

Shaft Diameter:
Shaft Size: 6 mm (Servo Mount), 10 mm (Clamping Mount), 3/8" (Square Flange Mount)
Hubshaft Size: 10mm, 12 mm, 3/8", 1/2"
Shaft Load (axial/radial): 40N (9lb.) / 60N (13lb.)
Shaft Tolerance (hubshaft only): ± 1.5 mm axial, ± 0.2 mm radial
Maximum Shaft Speed: 10,000 RPM (continuous), 12,000 RPM (peak)
Starting Torque: < 1.4 in-oz
Housing Material: Aluminum
Shaft Material: Stainless Steel
Disc Material: Glass
Weight:
 Single-Turn: approx. 12.3 oz (350 g)
 Multi-Turn: approx. 14.1 oz. (400 g)

ENVIRONMENTAL:

Operating Temperature: -40 °C ...+85 °C
Storage Temperature: -40 °C ...+100 °C
Shock: 100G, 1,000 m/s² for 6 msec
Vibration: 10G, 100 m/s² (10 to 2,000 Hz)
Humidity: Up to 75%, (no condensation allowed)
Enclosure Rating: IP64 or IP67



WWW.DYNAPAR.COM

Headquarters: 1675 Delany Road • Gurnee, IL 60031-1282 • USA

Customer Service:

Tel.: +1.800.873.8731
 Fax: +1.847.662.4150
custserv@dynapar.com

Technical Support

Tel.: +1.800.234.8731
 Fax: +1.847.662.4150
dynapar.techsupport@dynapar.com

European Sales Representative

Hengstler GmbH
 Umlandstrasse 49, 78554 Aldingen
 Germany
www.hengstler.com

HENGSTLER SERIES AI25 CAN Open

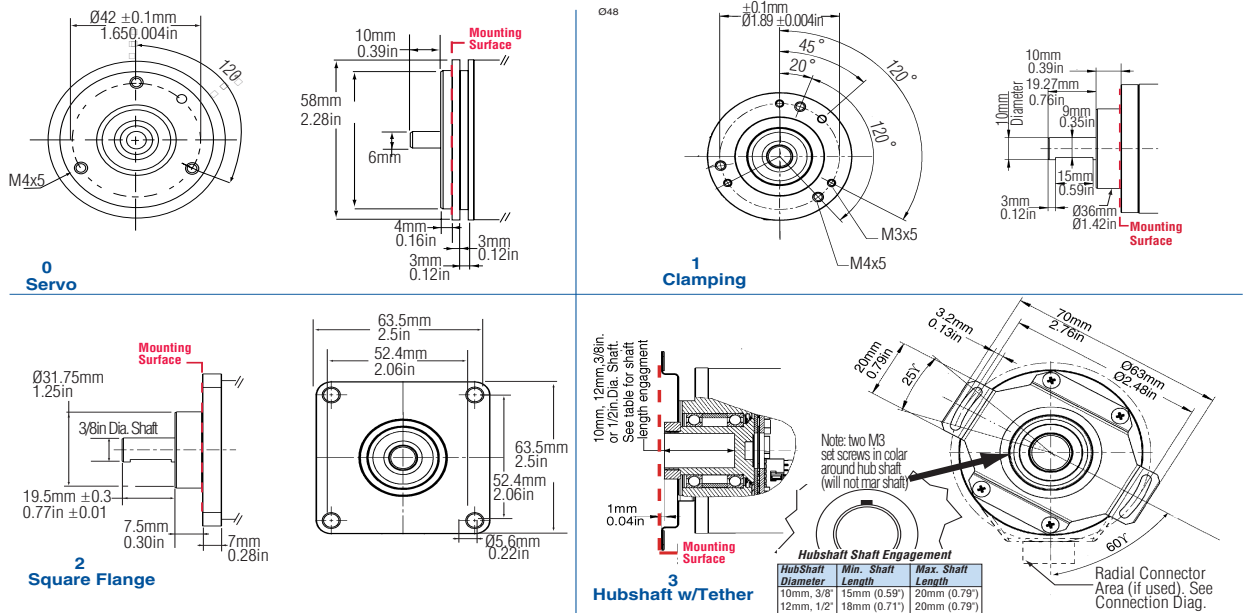
Ordering Information

To order, complete the model number with code numbers from the table below:

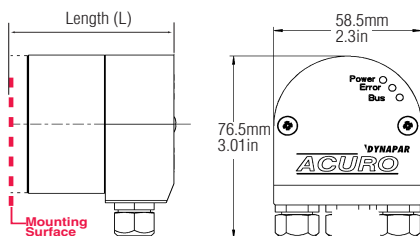
Code 1: Model	Code 2: Bits	Code 3: Mounting	Code 4: Shaft Size	Code 5: Protocol	Code 6: Electrical	Code 7: Connector
Ordering Information						
AI25	<input type="checkbox"/> <input type="checkbox"/> <input type="checkbox"/> <input type="checkbox"/>	<input type="checkbox"/>	<input type="checkbox"/>	<input type="checkbox"/>	<input type="checkbox"/>	<input type="checkbox"/>
AI25 Size25 Absolute Encoder	Single-Turn 0010 10 Bit 0012 12 Bit 0013 13 Bit 0014 14 Bit 0016 16 Bit Multi-Turn 1212 12 Bit MT 12 Bit ST 1213 12 Bit MT, 13 Bit ST 1214 12 Bit MT, 14 Bit ST	Available when Code 4 is 0 or A 0 Servo* Available when Code 4 is 1, 2 or B, C 1 Clamping* 2 Square Flange** Available when Code 4 is 3, 4, 5 or 6 3 Hubshaft w/Tether†	w/o shaft seal (IP64) 0 6 mm 1 3/8" 2 10 mm 3 3/8" Hubshaft 4 12 mm Hubshaft 5 1/2" Hubshaft 6 10 mm Hubshaft w/ shaft seal (IP67) A 6 mm B 3/8" C 10 mm	8 CANopen (OL) S CANopen (OC)	2 10-30 VDC	0 Cable, axial 1 Cable, radial 2 M23 Conin 12 pin axial, CW 3 M23 Conin 12 pin radial, CW 4 M23 Connector (Conin), 12 pole, axial, CCW 5 M23 Connector (Conin), 12 pole, radial, CCW E Bus Cover with 3 sealed cable exits F Bus Cover 1 M12, 5-Pole Connector H Bus Cover with 2x M23 Connector (Conin), 9 pole, radial, CW L Bus Cover 2 Strain Relief Exits. Internal T-coupler included
		* 58mm Dia. ** 2.5" Square † 63mm BC				

DIMENSIONS

Code 3: Mounting



Code 7: Connector



Length (L) Mounting Surface to Rear For connector types L, and F

Mount (Code 3)	Single-Turn	Multi-Turn
(0) Servo	63.3/2.49	72.3/2.85
(1) Clamping	62.3/2.45	71.3/2.81
(2) Square Flng	64.8/2.55	73.8/2.91
(3) Hubshaft	72.2/2.84	81.2/3.2

L
2 Strain Relief Exits