



# AG25 Agricultural Encoder



## High Robustness for Maximum Uptime

The AG25 Heavy-Duty Encoder is a speed/rotation sensor dedicated to off-road vehicles (OHV) in agricultural applications.

Its construction is robust, with resistant plastic casing, resin sealed electronics, stainless steel shafts and screws and automotive connectors.

These characteristics combined with magnetic sensing technology make AG25 fully resistant to chemical contaminants common in the field, such as fertilizers (including NPK), oils and dust.

### Main Characteristics

- Magnetic technology sensor
- 180, 360 or 512 PPR resolutions
- Resistant to corrosion by chemical agents (including NPK)
- 70 mm external diameter
- Operating temperature from 0°C to 70°C

## Mechanical Characteristics

Maximum speed	500 RPM
Starting torque	0 N.cm
Runout (assembly shaft)	+/- 0.13 mm (maximum)
Endplay (assembly shaft)	+/- 0.6 mm
Shaft diameter	1", Hubshaft (semi-hollow)
Shaft mounting	2 headless screws (stainless steel)

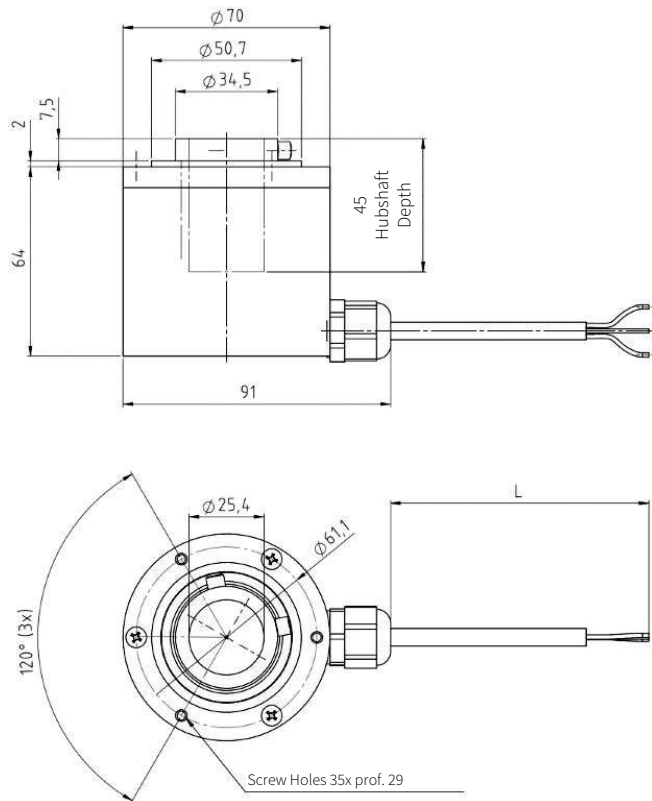
## Electrical Characteristics

Power Supply	5 to 26 VCC
Output	HTL (5-26 VCC) or TTL (5 VCC) 40mA maximum
Consumption	< 100mA
Maximum Frequency	300 kHz (sensor)
Resolution	180, 360 or 512 PPR
Electrical Protection	Polarity reversal, short-circuit between outputs and overvoltage
Simmetry	180°C ± 90°C

### Signal Format



### Dimensional Drawing

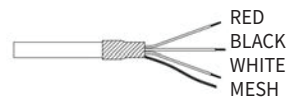


### Environmental Characteristics

Operating temperature	-15°C to 70°C
Storage temperature:	-20°C to 70°C
Shock	50 G / 6ms
Vibration	5 Hz to 2000Hz / 10G
Humidity	Up to 98% non-condensing
IP rating	IP67

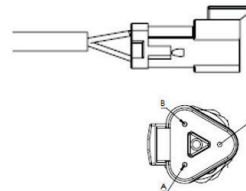
### Electrical Connection

#### Option "0" - Without Connector (pig tail)



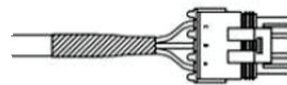
Wire	Function
Red	Power supply (+V)
Black	Common
White	Channel A
Mesh	Shield

#### Option "N" - 3-Pin male Deutsch Connector



Pin	Function
A	Channel A
B	Common
C	Power supply (+V)

#### Option "P" - 3-Pin Delphi Connector



Pin	Function
A	Power supply (+V)
B	Common
C	Channel A

### Coding

Code 1 Model	Code 2 PPR	Code 3 Shaft	Code 4 Shaft	Code 5 Output	Code 6 Connection	Code 7 Cable	Code 8 Plug
AG25	<input type="checkbox"/> <input type="checkbox"/> <input type="checkbox"/> <input type="checkbox"/>	<input type="checkbox"/>	<input type="checkbox"/>	<input type="checkbox"/>	<input type="checkbox"/>	<input type="checkbox"/>	<input type="checkbox"/>
<b>AG25</b>	<b>0180</b> <b>0360</b> <b>0512</b>	<b>H 1"</b>	<b>N</b> Without spring tether <b>Y</b> With spring tether	<b>A</b> 5V - TTL - Channel A Only (Push Pull Line Driver) <b>B</b> 5-26V - HTL - Channel A Only (Push Pull Line Driver)	<b>A</b> Cable press lateral	<b>1</b> 1.5 meters <b>2</b> 2 meters <b>3</b> 3 meters <b>4</b> 4 meters <b>5</b> 5 meters <b>6</b> 6 meters <b>7</b> 7 meters <b>8</b> 8 meters <b>9</b> 9 meters <b>A</b> 10 meters <b>B</b> 15 meters <b>C</b> 20 meters <b>D</b> 25 meters <b>E</b> 30 meters	<b>0</b> Without connector (pig tail) <b>N</b> 3-Pin male Deutsch Connector <b>P</b> 3-pin Delphi Connector
	For other PPR Consult the factory (max. 1024-						

Coding example: **AG25 0360 HNAA20**

AG25 Encoder 360 PPR, 1" hubshaft, without spring tether, 5 V output, lateral cable press, 2m cable, without connector.